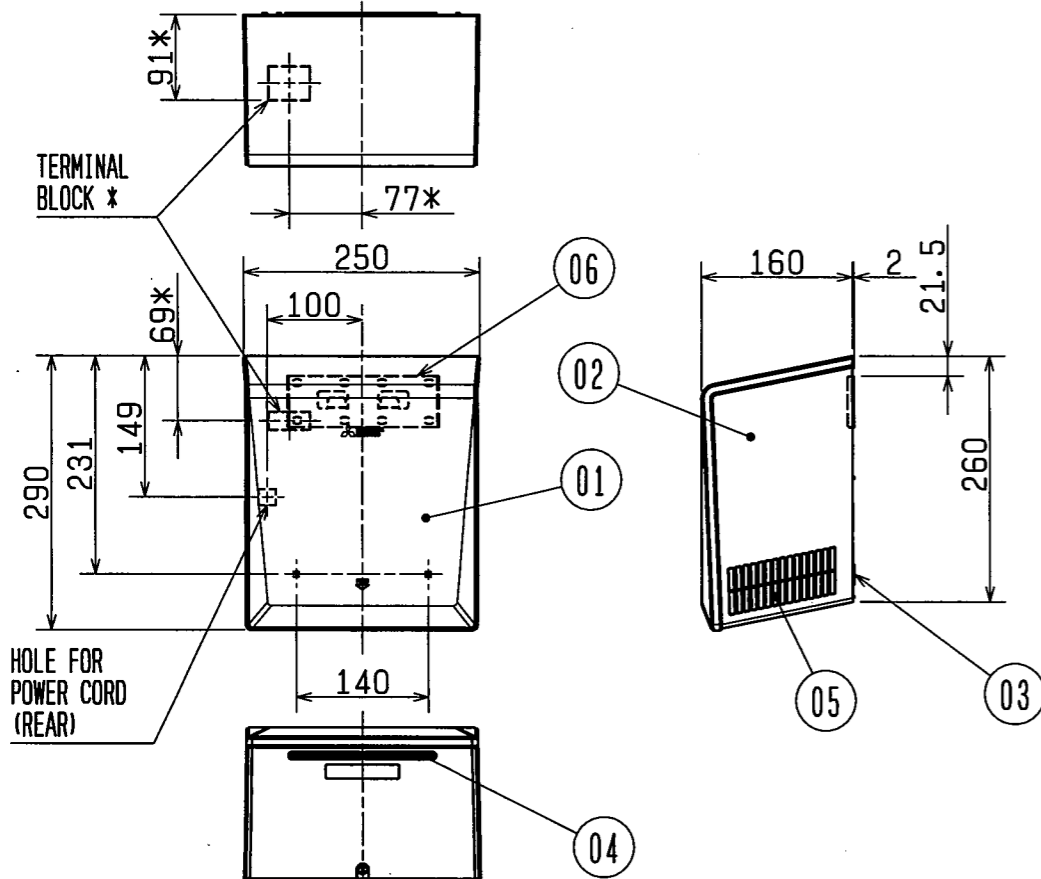
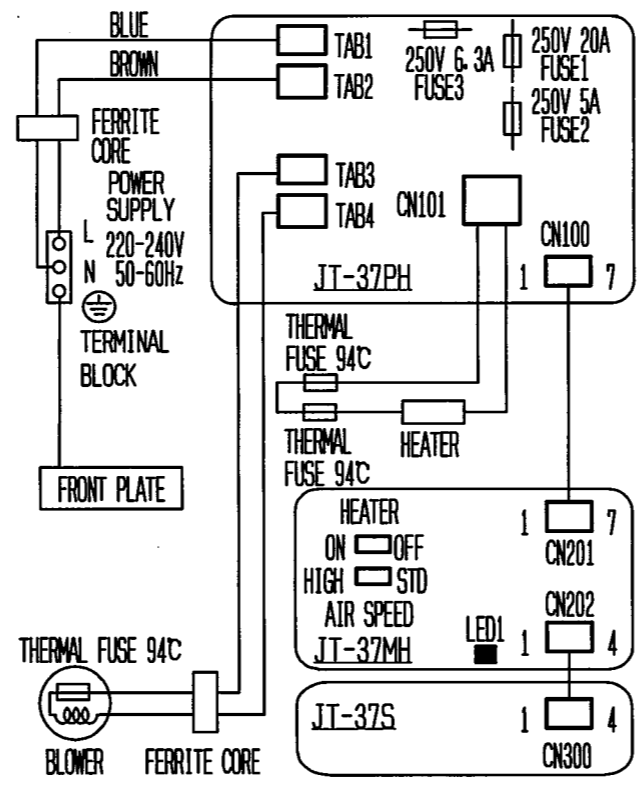


# mitsubishi HAND DRYER

## ■ DIMENSIONS [unit:mm]



## ■ CONNECTION DIAGRAM



## ■ INSTALLATION PRECAUTIONS

- Read the installation manual thoroughly before beginning installation to ensure the appliance is installed safely and correctly. Local installation standards should be obeyed and installation should be performed by the dealer or a qualified professional.
- Be sure to install a ground-fault circuit interrupter. A means for disconnection must be incorporated in the fixed wiring in accordance with the wiring rules. Use wires in compliance with the wiring rules within a range of 1.0mm<sup>2</sup>~ 2.5mm<sup>2</sup>.
- Do not install in the following types of location.
  - Outdoors
  - Where the temperature could be lower than 0°C or higher than 40°C.
  - Where the humidity could be lower than 5%RH or higher than 95%RH.
  - Where there is a lot of dust or condensation.
  - Where salt damage could occur.
  - Vehicles (incl. ships, trains, airplanes)
  - Where there corrosive, neutral, or reductive gases are present.
  - Where there are food, tableware, etc nearby because water may splash.
  - Where the appliance may come into direct contact with water.
  - Where the appliance is direct sunlight or strong light. (May cause the sensors to malfunction)
  - Rooms that have a sterilization basin, swimming pools, bathrooms.
  - Kitchens (Where there is a risk of water splashing)

## ■ EXTERIOR MATERIALS

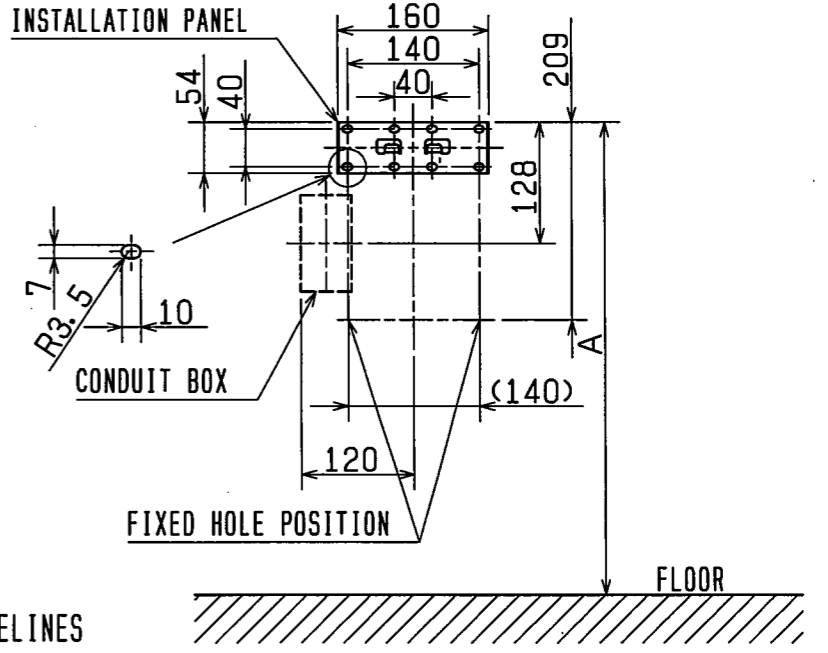
No.	PARTS	MATERIALS	COLOR (MUNSELL)	
			-W	-S
01	FRONT PLATE	STEEL	WHITE (7.1B:HUE 9.2 :BRIGHTNESS 0.2 :CHROMA)	SILVER (1.7PB:HUE 2 :BRIGHTNESS 0.38 :CHROMA)
02	FRONT PANEL	ABS RESIN		
03	BASE	PP RESIN		
04	NOZZLE	PBT RESIN		
05	AIR FILTER	PP RESIN		
06	INSTALLATION PANEL	STEEL		

## ■ SPECIFICATIONS

MODEL	RATED VOLTAGE (V)	RATED FREQUENCY (Hz)	HEATER	MOTOR SPEED	RATED CURRENT (A)	POWER CONSUMPTION (W)	AIR SPEED (m/s)	NOISE (dB)	WEIGHT (kg)
JT-S2AP-W-NE JT-S2AP-S-NE	220-240 SINGLE-PHASE	50-60	ON	HIGH	4.1-4.3	880-980	150-158	60-62	4.5
				STANDARD	3.5-3.7	660-740	125-132	58-59	
			OFF	HIGH	2.9-3.2	630-730	150-158	60-62	
				STANDARD	2.6-2.8	410-490	125-132	58-59	

MOTOR TYPE: COMMUTATOR MOTOR SAFETY MEASURES: THERMAL FUSE AND CURRENT FUSE  
 DIELECTRIC STRENGTH: AC 1000V FOR 1MINUTE INSULATION RESISTANCE: 10MΩ OR MORE (MEASURED BY DC 500V MEGGER)  
 WATER INGRESS PROTECTION: IPX3 APPLIANCE CLASSES: CLASS I

- Air speed is calculated from the static pressure measured by the pitot tube. (at the nozzle)
- Noise is the A range value measured in an anechoic room. (Average as 3 points, 2m from the front and both sides)
- The heater is turned off automatically when ambient temperature is 30°C or more.
- Compliance: LVD, EMC Directive, Ecodesign and Energy Labelling, RoHS Directive.



## ■ CERTIFICATIONS



\*Specifications may be subject to change without notice.

THE SEPARATION DISTANCE FROM A WALL SURFACE, AN OBSTACLE PLEASE KEEP DISTANCE MORE THAN NUMERICAL VALUE TO PUBLISH ON THE FACE.

PLACE	SEPARATION DISTANCE
UPPER	150
LEFT	100
RIGHT	100
FRONT	-
LOWER	-

Tentative  
 APPROVED: M. Fukano  
 DRAWN: Y. Itoigawa

	SCALE: NTS	PRODUCT: HAND DRYER
	UNIT: mm	MODEL: JT-S2AP-W/S-NE
	DATE: OCT. 14. 2015	DWG. No.: NL115008