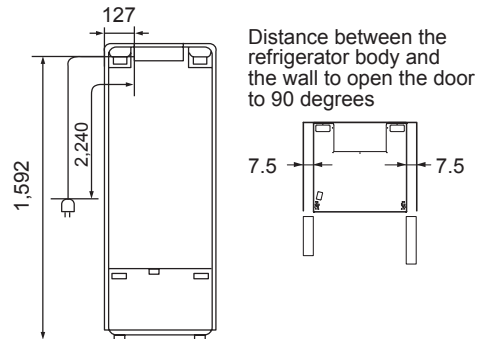
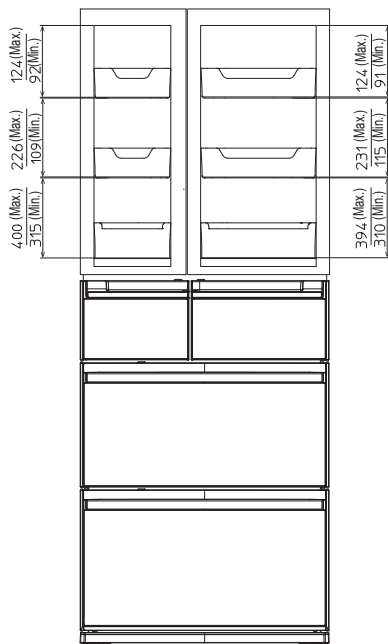
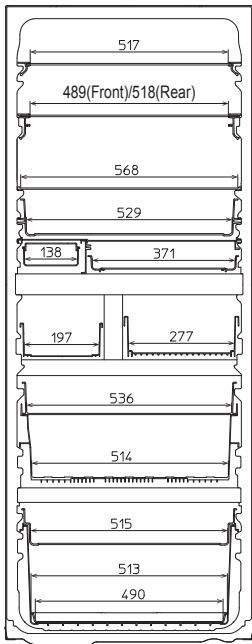
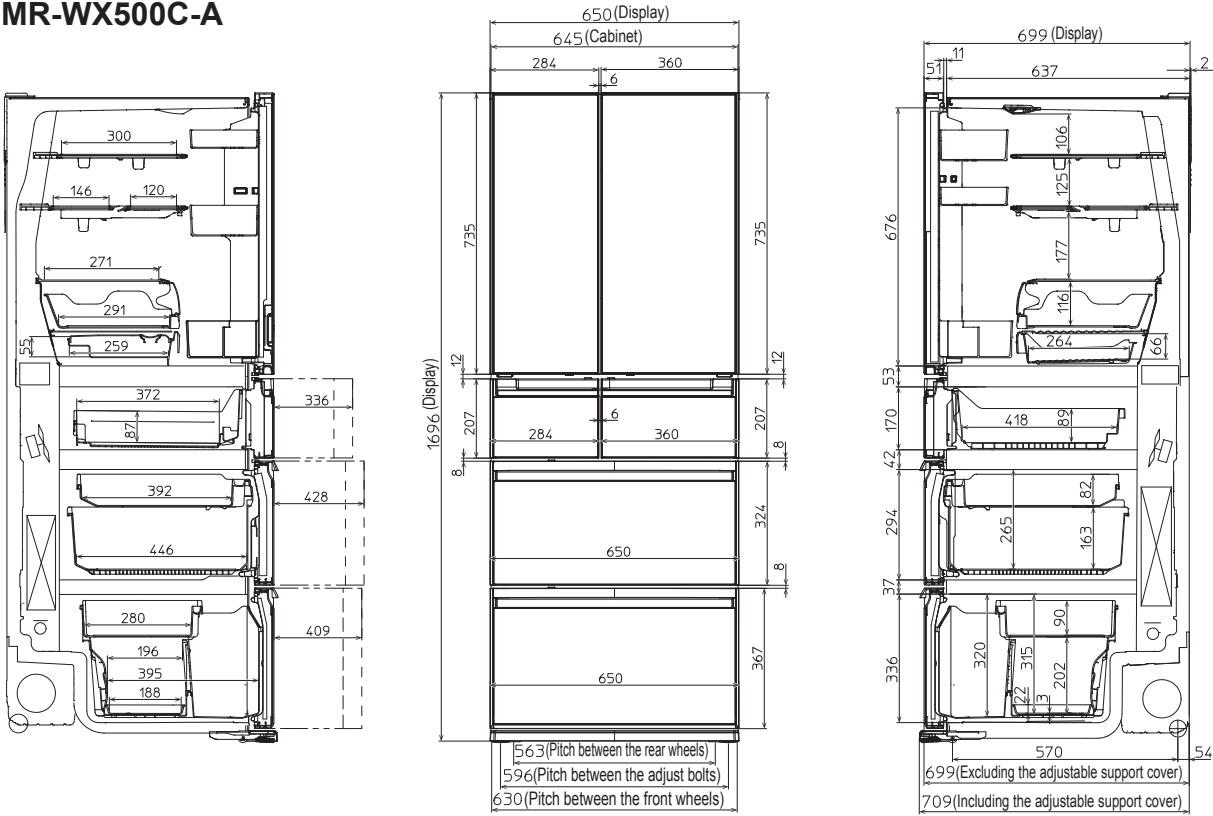
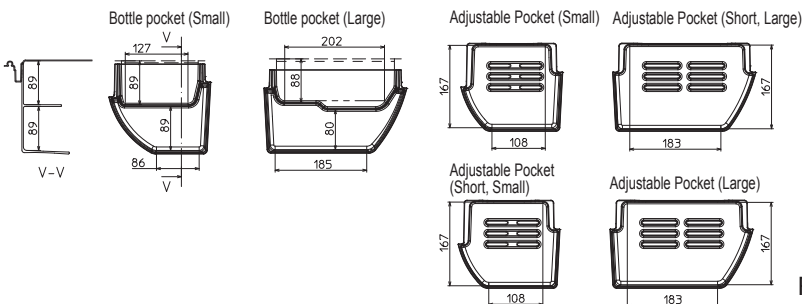
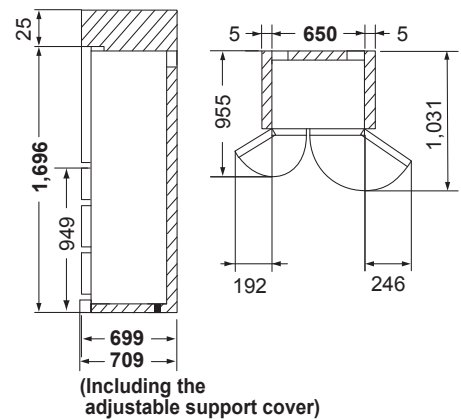


MR-WX500C-A

Unit: mm



REQUIRED SPACE FOR INSTALLATION



DOOR DIMENSION						
	R(L)	R(R)	I	S	F	V
Height	735	735	207	207	324	367
Width	284	360	284	360	650	650

- R(L) : Refrigerator compartment (Left)
- R(R) : Refrigerator compartment (Right)
- I : Ice making compartment
- S : Select compartment [Versa compartment]
- F : Freezer compartment
- V : Vegetable compartment